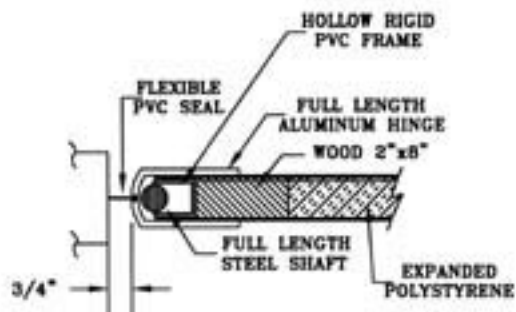




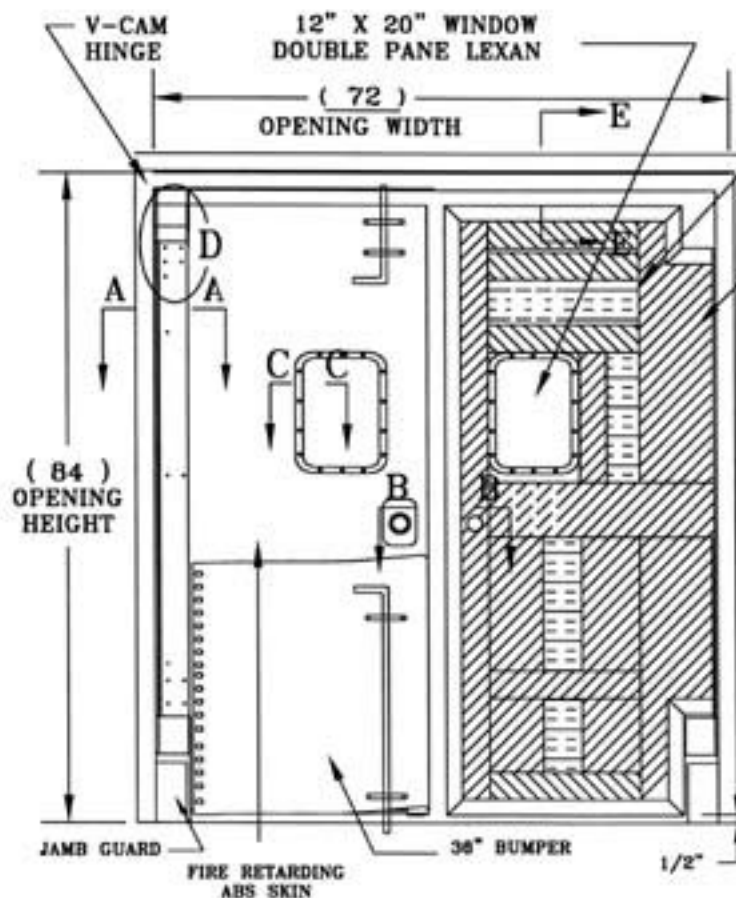
VIEW E-E SHOWING THE  
HEADER GASKET



VIEW D  
SHOWING  
V-CAM  
HINGE  
(COVER REMOVED)

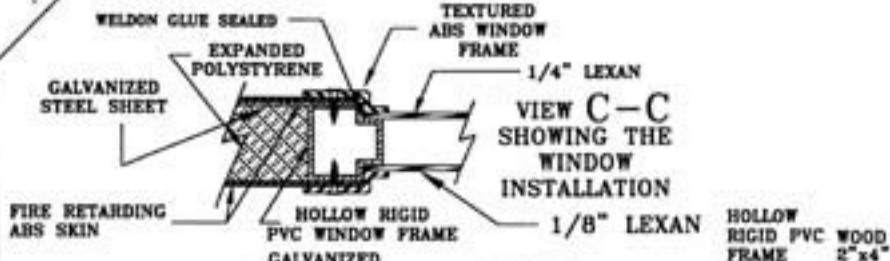


VIEW A-A SHOWING THE  
FULL LENGTH HINGE MOUNT

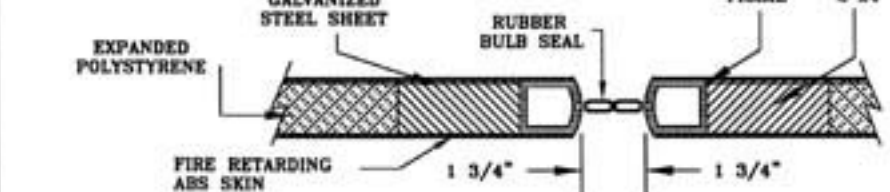


1 5/16 STYROFOAM  
(TYPE 4 PLACES)

2" X 8" EXTERIOR GRADE WOOD  
2" X 4" EXTERIOR GRADE WOOD



VIEW C-C  
SHOWING THE  
WINDOW  
INSTALLATION



VIEW B-B SHOWING GASKET  
AT THE MEETING EDGE

.060 GALVANIZED METAL  
SKIN COVERING THE SURFACE  
OF DOOR ON SECURITY SIDE.  
FIRE PROOF ABS SKIN LAMINATED  
TO .060 GALVANIZED METAL  
PER US. POSTAL SPECS.

TYPE 10  
PAIR  
COMPOSITE  
POSTAL DOORS

4801 N. TYLER WICKITA KS. 67205  
PH(316)-722-0285 FAX(316)-721-6156  
PE 1-800-254-1088