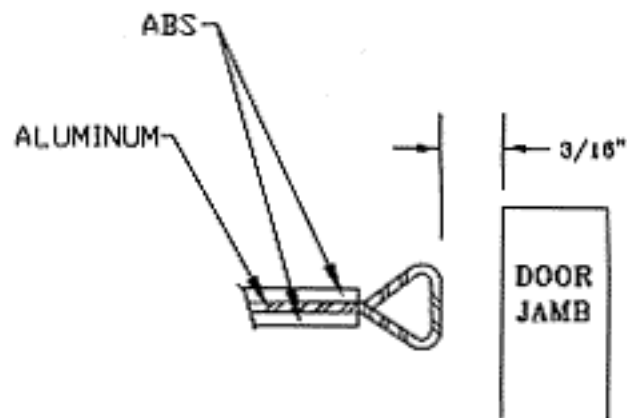
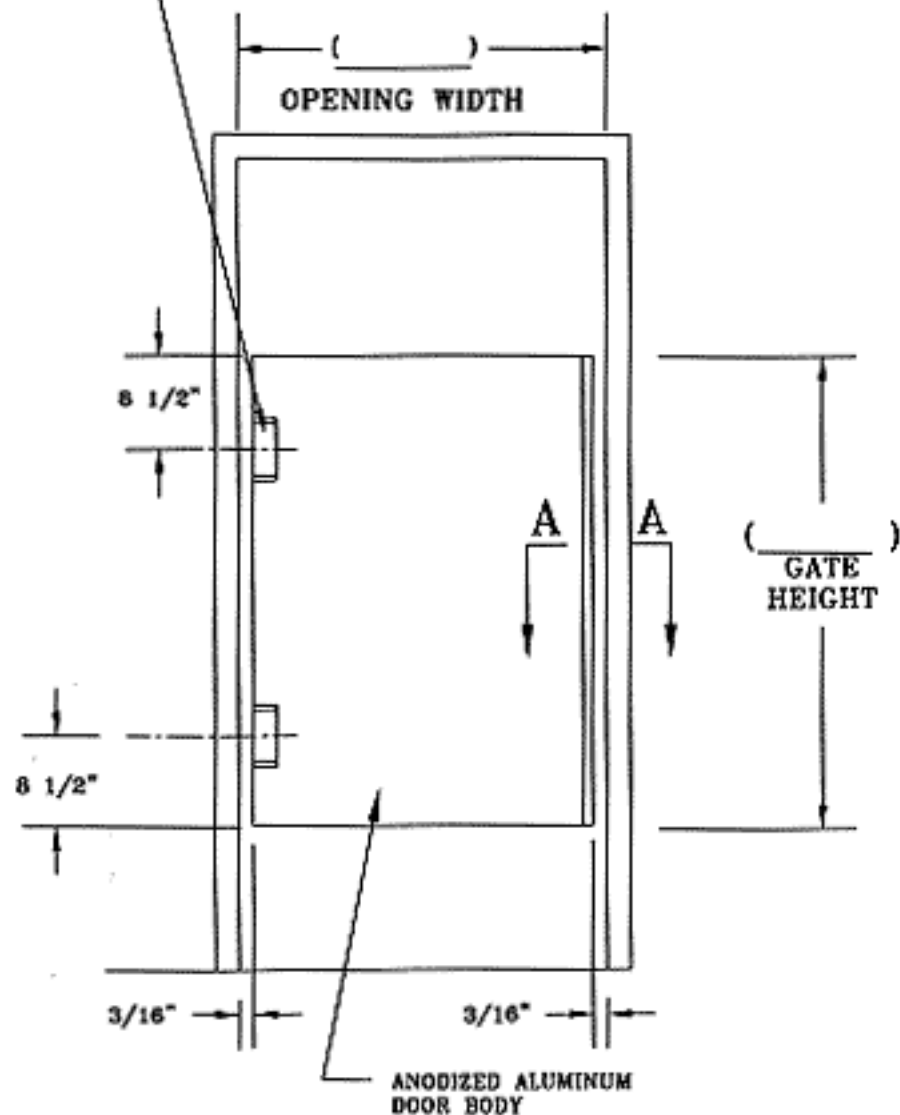


**DOUBLE ACTING  
SPRING BUTT HINGE**  
(SIZE OF DOOR DETERMINES  
NUMBER AND SIZE OF HINGES)



**SECTION A-A**  
SHOWING THE  
DOOR GAP AT  
THE SWING  
EDGE

**TYPE 1  
SINGLE  
GATE**

**CARLSON  
PRODUCTS**

4901 N. TYLER WICHITA KS. 67205  
PH(316)-722-0283 FAX(316)-721-0154  
FW 1-800-324-1092