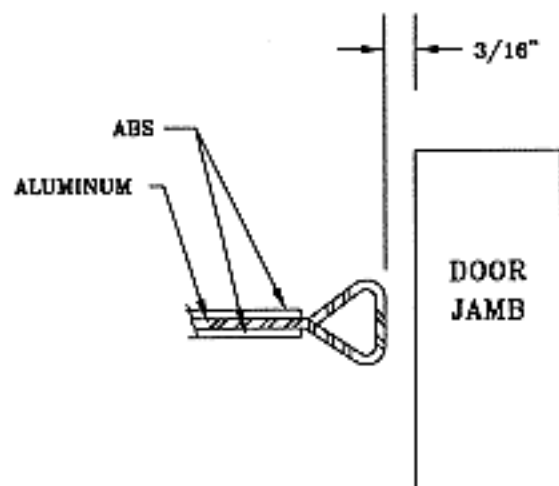
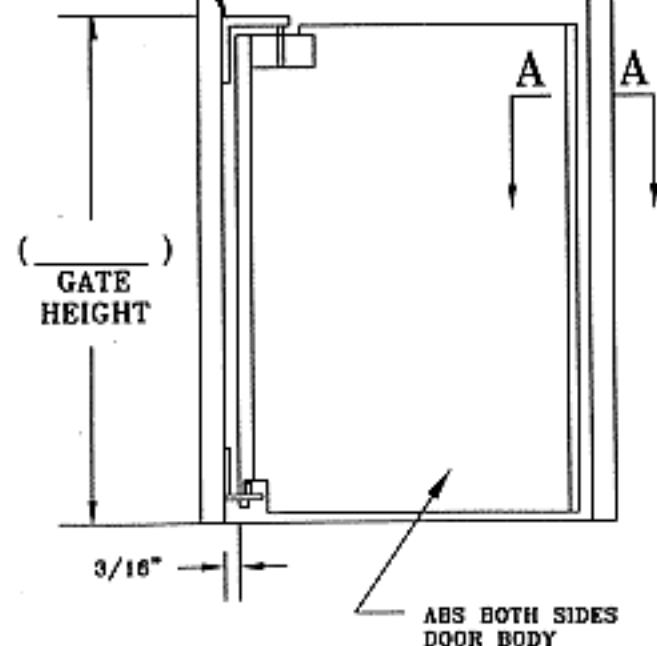


CARLSON GRAVITY
HINGE ASSEMBLY

()
OPENING WIDTH



SECTION A-A
SHOWING THE
DOOR GAP AT
THE JAMB
EDGE

TYPE 2
SINGLE
GATE


CARLSON
PRODUCTS

4801 N. TYLER, WICHITA, KS, 67205
PH(316)-722-0285 FAX(316)-721-0154
PH 1-800-534-1099