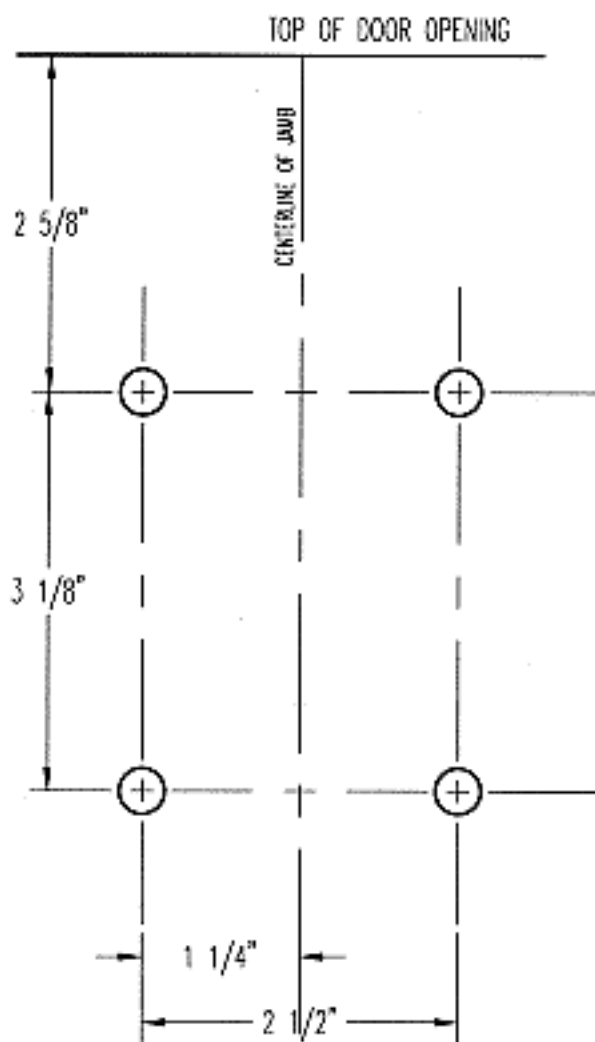


THIS IS NOT A TEMPLATE

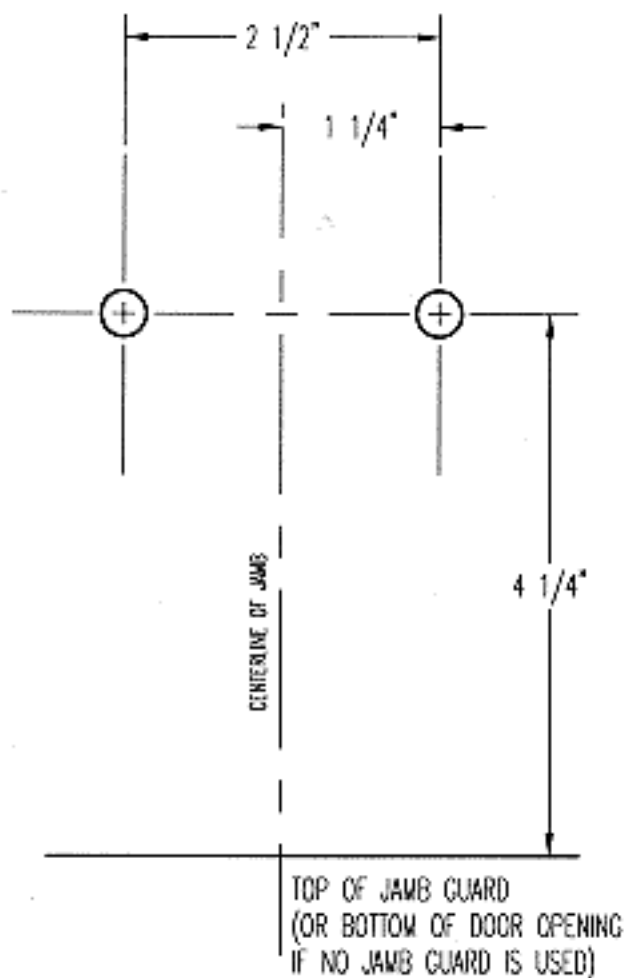


TOP CAM BEARING

FIG. 1

THIS IS NOT A TEMPLATE

THIS IS NOT A TEMPLATE



BOTTOM BEARING

FIG. 2

THIS IS NOT A TEMPLATE

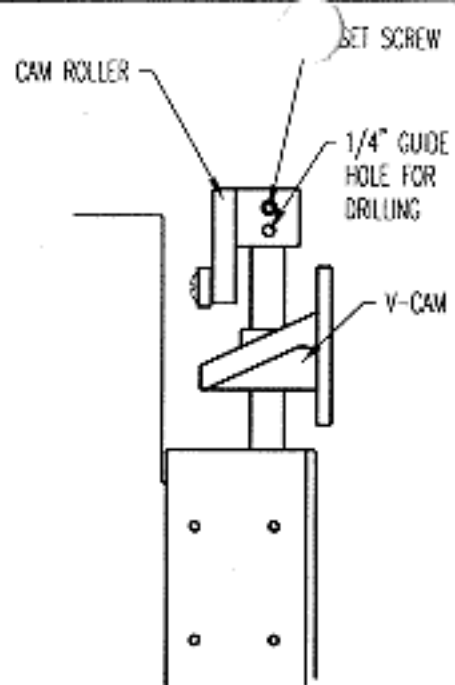


FIG. 4

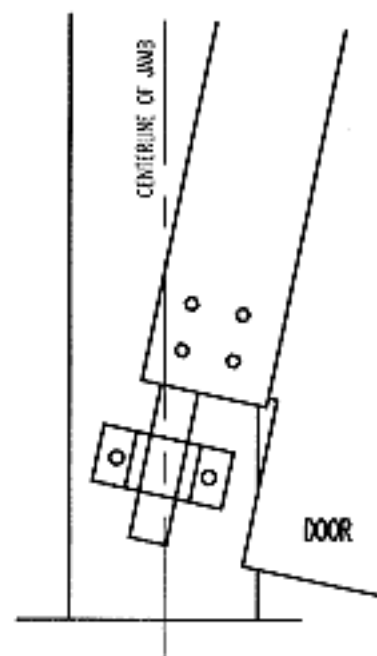


FIG. 3