

V-CAM HINGE

OPENING WIDTH

GATE HEIGHT

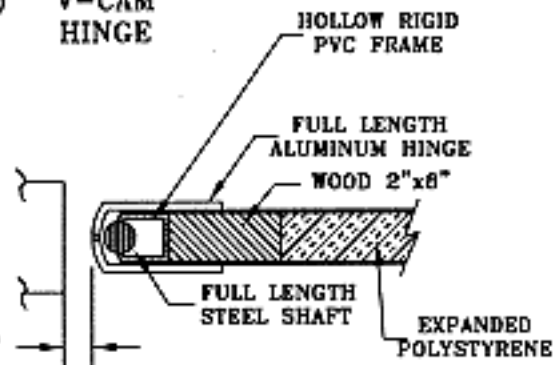
JAMB GUARD

24" BUMPER

1/2"



VIEW D SHOWING V-CAM HINGE



VIEW A-A SHOWING THE FULL LENGTH HINGE MOUNT

EXPANDED POLYSTYRENE

ABS SHEET

ABS SKIN

HOLLOW RIGID PVC FRAME WOOD 2"x4"

1 3/4"

VIEW B-B SHOWING JOINT AT THE MEETING EDGE

TYPE 6 PAIR GATE

CARLSON PRODUCTS

4901 N. TYLER WICHITA KS, 67205  
PH(316)-722-0265 FAX(316)-721-0115  
TH 1-800-234-1069